

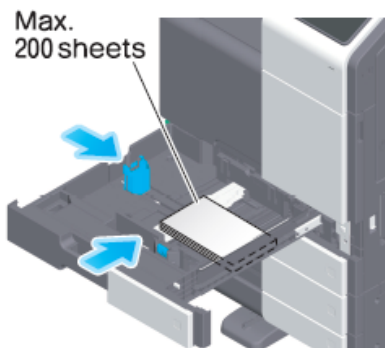
**Loading Postcards with the iSeries:**

On the iSeries, postcards can be done via the bypass tray or tray 1.

**For Tray 1**

Up to 200 postcards can be loaded into the tray.

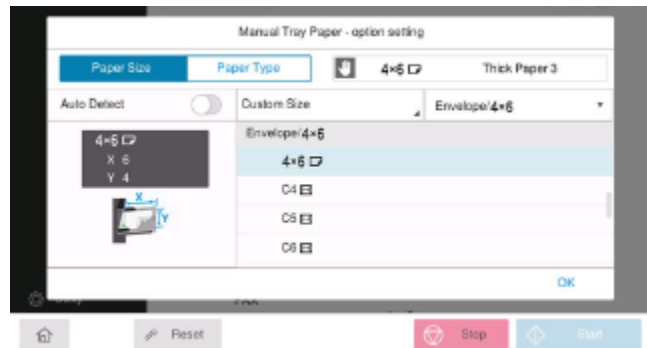
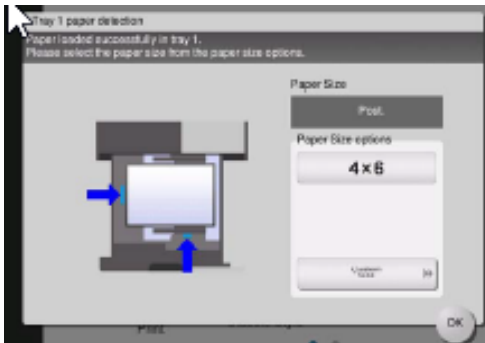
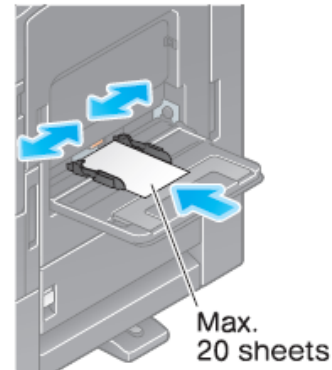
- Load postcards with the print side facing up.
- For Tray 1, mount the **Attachment** on the **Lateral Guide**.
- Align the **Lateral Guide** with the postcard size.
- Select [4 x 6] ([A6 Card]) from [Paper Size options].



**For Bypass Tray**

Up to 20 postcards can be loaded into the tray.

- Load postcards with the print side facing down.
- Align the **Lateral Guide** with the postcard size.
- Select the desired postcard size from [Envelop/4 x 6] ([Envelop/A6 Card]) of [Paper Size].



**Notes when using Postcards:**

1. If the postcards are other than 4 x 6, confirm the size and select Paper Size>>Custom Size.
2. Orient in the landscape direction for easier pulling.

